

CONSTRUCTION SIGNS LTD.

Newfoundland & Labrador's
leaders in construction signage.

AC ENCLOSURE

Enclosure Material	0.08" Type 5052 H-32 aluminum
Enclosure Dimensions (Small)	12" x 12" x 4" (30 x 30 x 10cm)*
Enclosure Dimensions (Large)	16" x 14" x 8" (41 x 36 x 20cm)*
Standards	UL 508 Type 3R, 4, 4X, 12, and 13 CSA Type 3R, 4, 4X, 12, and 13
Compliance	NEMA Type 3R, 4, 4X, 12 and 13 JIC EGP-1-1967 IEC 60529, IP66
Enclosure Colors	Aluminum, Black, Green or Yellow (Custom Colors Available)



AC BRICK SPECIFICATIONS

Dimensions	6.375" x 1.625" x 1.25" @ 0.9 lbs (16.25 x 4.3 x 3.2 cm @ 0.41 kg)*
Power Supply Rating	120 VAC to 15 VDC Class 2 Supply
Standards	IP67, CE Certified, UL Recognized

SYSTEM PROTECTION

Over Current Protection	1.8 Amp PTC auto-reset fuse
Self Monitoring	Visual notification of sub-optimal operation

LED BEACON SIGNAL HEAD

Standard Followed	ITE VTCSH-STD 2005
LED Beacon Signal Head Setup	Dual Heads Pole Top Mounting
Lens Material	UV stabilized polycarbonate and Abrasion resistant
LED Housing	100% Polycarbonate
LED Size	8" Diameter (200 mm)* 12" Diameter (300mm)*
LED Housing Dimensions	8" head - 14" x 10" x 6" (35 x 25 x 16 cm)* 12" head - 17" x 14" x 6" (44 x 25 x 17 cm)*
Std. LED Color Options	Amber or Red (custom colors available)

COMMUNICATION

Band of Operation	ISM Band (902-928 MHz)
Compliance	FCC and IC Compliant
Range	Up to 0.5 miles (800 m) with line of sight
Network Addresses	16 unique addresses to avoid interference between multiple crosswalk locations
Compatibility	Can communicate with other AB units

SYSTEM OPTIONS

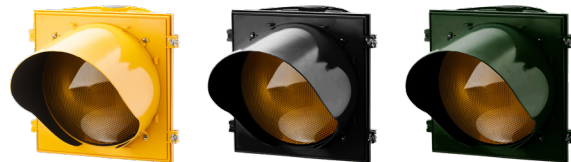
LED Housing Colors	Yellow, Black or Green (custom colors available)
Mounting Options	Round Collar Mount: 2.5", 3.5", 5", 6" Wood Post Saddle Mount: 4" x 4", 6" x 6" Side Mount Bracket: 18", 36", and 48"

AVAILABLE WITH RED LEDS FOR STOP SIGNS, AMBER LEDS FOR WARNING SIGNS

SYSTEM OVERVIEW

Compliance	FHWA MUTCD Compliant
Standard Operation	Pedestrian Activated via push button or JSFT remote transmitters
Flash Pattern Options	MUTCD Standard (0.5 seconds ON, 0.5 seconds OFF) JSFT Strobe Energy Efficient Flash Pattern** MUTCD Wig - Wag JSFT Wig - Wag Strobe Energy Efficient Flash Pattern**
Activation Duration	Variable from 5 seconds to 4 hours
Std. Operating Temperature	-40°F to +176°F (-40°C to +80°C)
System Voltage	12 VDC
Packaged Dimensions	Varies depending on configuration and installation method

SIGNAL HEAD AND SOLAR ENGINE AVAILABLE WITH STANDARD COLOURS;
YELLOW, BLACK, OR GREEN. CUSTOM COLOURS ARE ALWAYS AVAILABLE.





18"
SIDE MOUNT BRACKET
ALSO AVAILABLE IN 36" & 48"



4X4" SADDLE
MOUNT



6X6" SADDLE
MOUNT

WOOD POST MOUNT



2.5"



3.5"



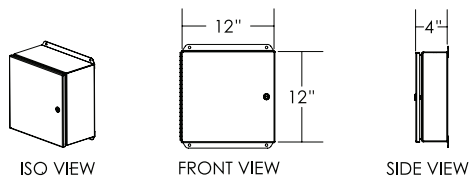
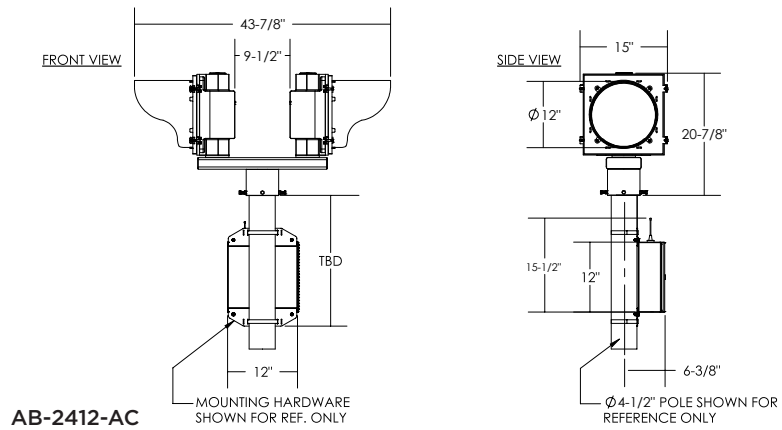
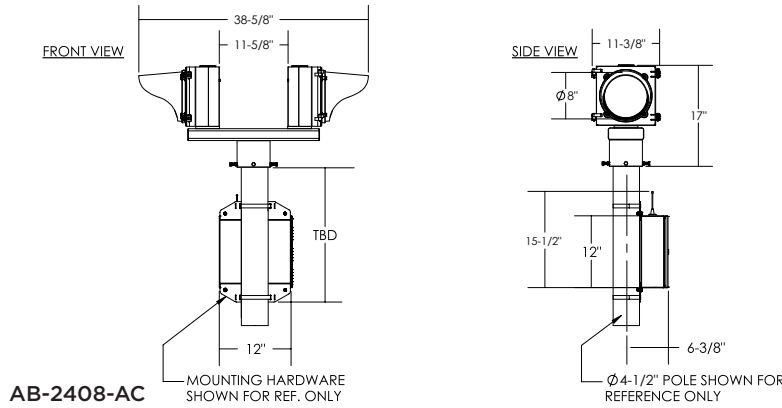
5"



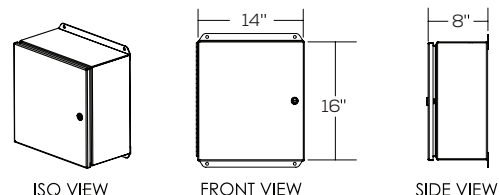
6"

STANDARD ROUND MOUNT

MOUNTING OPTIONS



SMALL AC CABINET



LARGE AC CABINET